

科技中联, 匠心相伴 ZOOMLION TECHNOLOGY WITH INGENUITY AND CARE



全球领先的挖掘机智能制造工厂

The world's leading excavator intelligent manufacturing factory

中联智慧产业城土方机械园区拥有行业领先的智能化、柔性化的挖掘机工厂, 从一块钢板到一台挖掘机, 以高精度的焊接工艺、高可靠的装配工艺、高级别的涂装工艺和严苛的品质管控, 让每一台交付的挖掘机都具备极致品质。Zoomlion Smart City Earthmoving Machinery Park is an industry-leading intelligent and flexible excavator factory. From a piece of steel plate to an excavator, with high-precision welding process, highly reliable assembly process, high-level coating process and strict quality control, each excavator is delivered with ultimate quality.

ZOOMLION

Zoomlion Heavy Industry Science & Technology Co.,Ltd.

Add: No.361, South Yinpen Road, Changsha, Hunan Province, P.R.China 410013 Email: earthmoving@zoomlion.com
Copyright © 2025 Zoomlion. All rights reserved. Reproduction and copying of any part of contents is not allowed for any purposes without Zoomlion's approval.
Note: Materials and specifications are subject to change without notice. Featured machines in photos may include additional equipment.



ZOOMLION 170 HORSEPOWER CRALWER BULLDOZER

中联重科170马力履带式推土机
ZD170G



ZOOMLION

VISION CREATES FUTURE

思想构筑未来

ZD170G

Engine rated power (发动机功率) : 140 kW / 1900 rpm

Operating weight (操作重量) : 16600 kg

ZD170G MGP

Engine rated power (发动机功率) : 140 kW / 1900 rpm

Operating weight (操作重量) : 18100 kg

“MGP” 为湿地型
“MGP” for wetland working condition



Cab 驾驶室

The sealing performance is greatly improved, and the working noise is reduced by 4dB;
密封性大幅提升，工作噪音降低4dB；

By adopting special-shaped tubing, the structural improves its strength and safety;
采用异型管材，结构强度提升，安全性增加；

The cab's inner and outer door panels are stamped and molded for greater reliability;
驾驶室内外门板采用冲压成型，可靠性更高；

G series new cab makes operation more comfortable.
G系列全新驾驶室，操作舒适性提升。

Power system 动力系统

The rated power has increased to 140kW and the maximum torque has reached 900N.m, which have been improved by 6.8% and 8.4% respectively, has a large torque reserve, strong power, and the productivity has been improved by more than 12%.
额定功率增至140kW，最大扭矩达到900N.m，分别提升了6.8%和8.4%，扭矩储备大，动力强劲，生产效率提升12%以上。

Maintenance 维保性

It is equipped with a full-opening side shield, so there is a lot of space for maintenance, and the working valve is external, so it is easy to overhaul;
全开启式侧护罩，超大保养空间，工作阀外置，检修便捷；

It adopts centralized pressure measurement system, which is more convenient for measurement.
采用集中测压系统，测压方便。

Hydraulic System 液压系统

The layout of its chassis piping has been optimized to be a layered arrangement with additional fixing points, which effectively reduces hydraulic failures caused by interference wear;
底盘管路优化，分层布置，增加固定点，有效减少了干涉磨损引起的液压故障；

The working hydraulic system pressure of 14Mpa is increased to 21Mpa, the lifting cylinder is front-loaded, and the efficiency of shovel blade lifting and lowering is increased by 8%.
工作液压系统压力14Mpa提升至21Mpa，提升油缸前置，铲刀升降效率提升8%。

Transmission System 传动系统

The transmission system adopts advanced hydrodynamic transmission technology, stepless speed change, non-stop gear change, improve operational efficiency, automatic adaptation to load changes, smooth start, good traction.

采用先进的液力传动技术，无级变速，不停车换挡，提高作业效率，自动适应载荷变化，起步平稳、牵引性好。

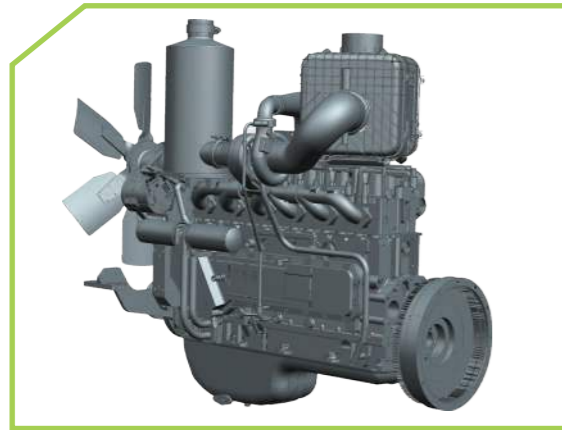
Working Equipment 工作装置

The working device adopts pilot control, which reduces the manipulation effort by more than 60%, with precise control, good micro-movement and simpler operation mode;
工作装置采用先导控制，操控力度下降60%以上，控制精准、微动性好，操作方式更简单。

The arc plate of the bulldozing work equipment is made of NM400, with a longer service life.
推土工作装置弧板采用NM400材质，使用寿命延长。

STRONG & HIGH EFFICIENCY

强劲高效



It is equipped with Weichai engine, the rated power increased to 140kW, the maximum torque reaches 900N.m, the engine torque reserve is large, strong power; 搭载潍柴发动机, 额定功率增至140kW, 最大扭矩达到900N.m, 发动机扭矩储备大, 动力强劲;

It has advanced hydraulic transmission, which can adapt to load changes; faster traveling speed, large shovel capacity; integrated matching of electromechanical and hydraulic systems, high operational efficiency and economic fuel saving;

先进的液力传动, 自适应载荷变化, 行走速度快, 铲刀容量大, 机电液系统一体化匹配, 作业高效, 经济节油;

Customized hydraulic multi-way valves, increases the system pressure from 14MPa to 21MPa, and the bulldozing device has more lifting force and pushing force for higher operating efficiency;

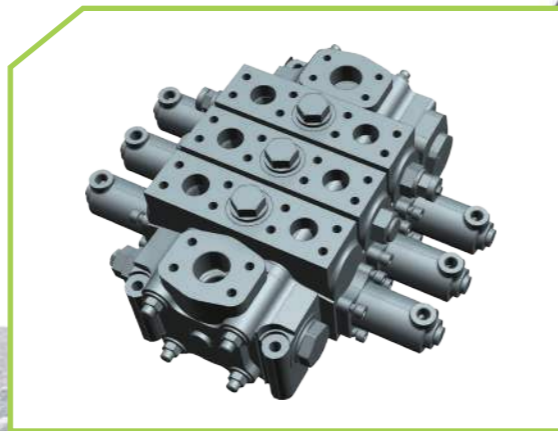
定制化液控多路阀, 系统压力由14MPa提升到21MPa, 推土装置具备更大的提升力与推压力, 作业效率更高;

The multi-way valve is external, so inspection and maintenance are more convenient, and the structure of the engine shroud and other cover parts is optimized so that the engine's routine maintenance parts are within reach.

多路阀外置检查维修更便捷, 发动机护罩等覆盖件结构优化, 发动机日常保养部位触手可及。

With its lifting cylinder in front, the shovel blade lifting efficiency is increased by 8%, which makes the operation more efficient, and at the same time improves the front hood and cylinder force, which increases the service life.

提升油缸前置, 铲斗升降效率提高了8%, 作业效率更高, 同时改善了前机罩及油缸受力, 增加了使用寿命。



WORKING DEVICES

工作装置

Straight Tilt Blade(Standard)

直倾铲 (标配)

The blade can be adjusted from top to down at a certain angle of inclination. With good flexibility, great cutting and leveling ability, it is suitable for sand, stone, hard soil and other hard materials.

在垂直面内可上下倾斜, 具备良好的灵活性, 更大的切入力和平整能力。适合于砂石、硬土等比较坚硬的物料。

U Blade (Optional)

U型铲 (选配)

The U blade has large capacity, with strong ability of collecting and transporting soil, in the process of pushing and transporting, and it can effectively prevent the material from overflowing out from both sides of the shovel blade, and it has a very good effect of gathering, and it is mainly suitable for transporting the soil over a long distance or the stacking of loose materials, such as pushing coal in the coal yard.

U型铲铲刀容量大, 集土、运土能力强, 在推运过程中, 可有效防止物料从铲刀两侧溢出, 具有很好的聚拢效果, 主要适用于运土距离较远或松散物料的堆集工况, 如煤场推煤作业等。

Semi-U Blade (Optional)

半U型铲 (选配)

Semi-U blade has the characteristics of both straight tilting blade and U blade, which not only has a great cutting force, but also has a good gathering effect in the process of bulldozing, which is suitable for a variety of working conditions.

半U型铲同时具备直倾铲和U型铲的特点, 不但推土切土力大, 而且推土过程中具有良好的聚拢效果, 能适应不同的作业要求。

Universal Blade (Optional)

万向铲 (选配)

The blade can not only tilt up and down, but also achieve left and right swing with the maximum swing angle of 25°. The user adjust according to the needs of the working conditions, mainly used in the forest logging, airports, river banks, river bank repair and other complex terrain bulldozing construction work.

该铲刀除可上下倾斜外, 还可实现左右回转, 最大回转角度达到25°, 可根据工况需求进行调整, 适用于在森林采伐、机场、河堤修整等复杂地形推土作业。

Large Capacity Ripper (Optional)

超大容量环齿铲 (选配)

This ripper is mainly used for loosening hard pavement or frozen soil, and can effectively improve the stripping efficiency of hard soil layer when working with bulldozer.

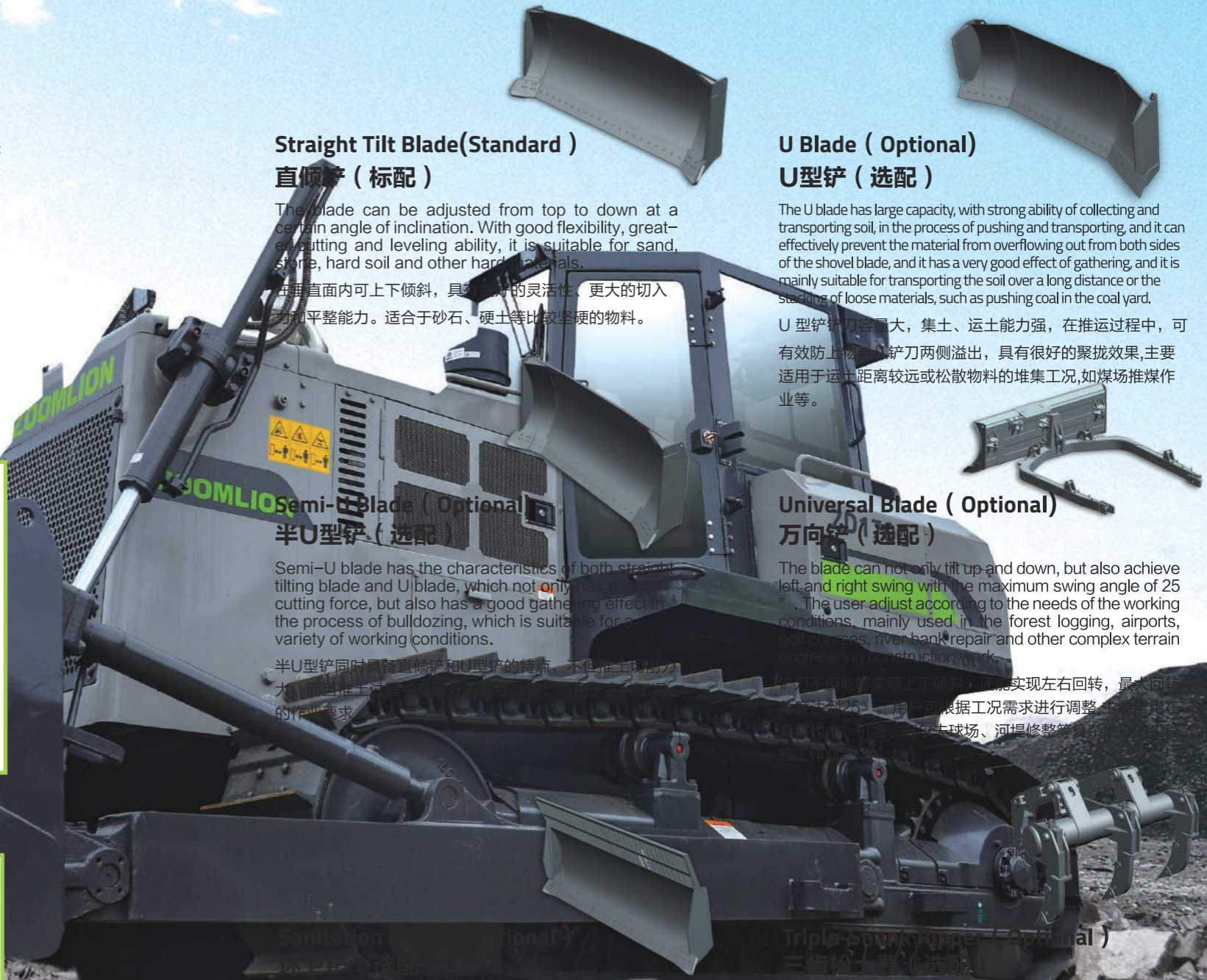
超大容量的环齿铲, 作业效率高, 适合于垃圾填埋、木屑以及松散物料的推运以及堆积。

Large Capacity Ripper (Optional)

超大容量环齿铲 (选配)

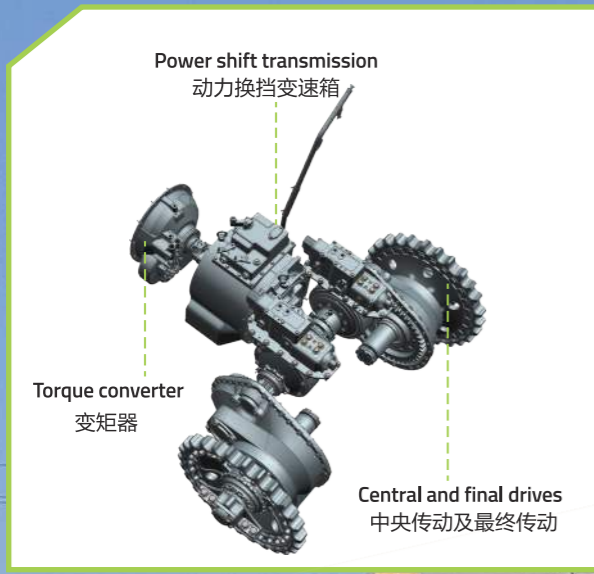
This ripper is mainly used for loosening hard pavement or frozen soil, and can effectively improve the stripping efficiency of hard soil layer when working with bulldozer.

主要用于疏松坚硬的路面或冻土, 与推土铲配合作业, 可有效提高硬土层剥离效率。



RELIABLE & DURABLE

可靠耐用



Torque Converter 液力变矩器

It adopts single-pole, single-phase, three-element torque converter with simple structure, high efficiency and wide range of applications.

单极单相三元件液力变矩器，结构简单，效率高，应用场景广泛。

Electronically Controlled Gearshift Transmission 动力换挡变速箱

It is equipped with a well-known brand of powershift transmission, reliable quality and product durability.

采用知名品牌动力换挡变速箱，质量可靠，产品耐用性强。

Central Drive And Final Drive 中央传动及最终传动

It adopts the transmission parts of domestic famous brand gear brand, the structure design has been tested in the market for a long time, strong reliability and high versatility.

采用国内知名品牌齿轮品牌的传动件，该结构设计久经市场考验，可靠性强、通用性高。



Steering And Braking System 转向、制动系统

The bulldozer is equipped with wet long engagement, multi-plate steering clutch, wet, floating bell brake, sensitive and light operation.

湿式常啮合、多片转向离合器、湿式、浮动带式制动器，操作灵敏轻便。



The strength of the frame is optimized. The stress is reduced by 30% by strengthening the dangerous sections.

优化台车架强度，对危险截面进行加强设计，应力下降30%。



The blade rear box plates adopts U-shaped plate split-welding structure to improve the welding process, and structure to improve the welding process; 铲刀后箱板采用U形板拼焊结构，改善焊接工艺性，结构强度大幅度提升；

The use of special wear-resistant steel plate makes the wear life increased by more than 25%.

使用专用耐磨钢板，耐磨寿命提升25%以上。

COMFORTABLE DRIVING

驾驶舒适



Upgraded Cab
升级款驾驶室

The newly designed independent closed dust-proof steel hexahedron cab, whose sealing is greatly improved, can effectively prevent dust and sand from entering the cab, while the external noise is greatly reduced, and the noise next to the driver's ear is reduced by 4 dB.

全新设计的独立封闭防尘钢制六面体驾驶室，驾驶室密封性大大提升，有效防止灰尘、沙土进入驾驶室，外部噪音大幅降低，驾驶员耳旁噪音降低4dB。

It has a brand-new appearance design, and the overall shape is simple, generous and novel, and is equipped with the new set of colors of Aurora Green, Gravel Gray, and Starry Gray with the characteristics of Zoomlion, which makes the whole more beautiful and the quality of the paint surface is higher.

全新的外观设计，整体造型简洁、大方、新颖，并配以具有中联特色的极光绿、沙砾灰、星耀灰全新套色，整体更美观，漆面质量更高。



New Appearance With ZOOMLION Characteristics
全新中联配色



Multifunctional Equipments
多功能配置

The interior is equipped with accessories such as fire extinguishers, escape hammers, radios, mirrors, cup holders, ashtrays, cigarette lighters, coat hooks, and sunshades, which improve the driver's operating comfort. 室内配备有灭火器、逃生锤、收音机、后视镜、水杯座、烟灰缸、点烟器、衣帽钩、遮阳帘等附件，提高了驾驶人员的操作舒适性。

It adopts pilot control, so the maneuvering force is reduced by 60%, and the driving experience is enhanced, with good control performance, as well as fast response feedback, which greatly reduces the driver's labor intensity.

采用先导控制，操控力度下降60%，驾驶体验感增强，控制性能好，响应反馈速度快，大大降低了司机的劳动强度。



Control Of Work Equipment
工作装置操纵

CONVENIENT MAINTENANCE

维保便利



Engine oil checking
机油检查



Air cleaner maintenance
空滤清理



Fuel filter maintenance
燃油滤更换



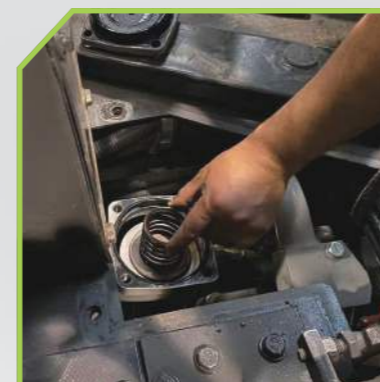
Replacing fuse
保险更换



Refueling
燃油加注



Refilling engine oil
机油加注



Undercarriage filter maintenance
底盘细滤更换



Fuel tank filter maintenance
工作油箱滤芯更换



Oil tank draining
工作油箱放油

Zoomlion promises that once you choose us, we are ready to respond with the first arrival and solution any time, anywhere. 中联重科承诺，一旦您选择了我们，我们将随时做好响应准备，在任何时间、任何地点第一时间到达并提供解决方案。

Various service content, professional service teams, global service networks and systematic technical support are readily available from Zoomlion for an effective response and solution upon your request no matter where you are in the world and what time it is. 中联重科随时提供各种服务内容、专业服务团队、全球服务网络和系统化的技术支持，无论您身处何时何地，均可应您的要求提供有效的响应和解决方案。

TECHNICAL PARAMETERS

技术参数

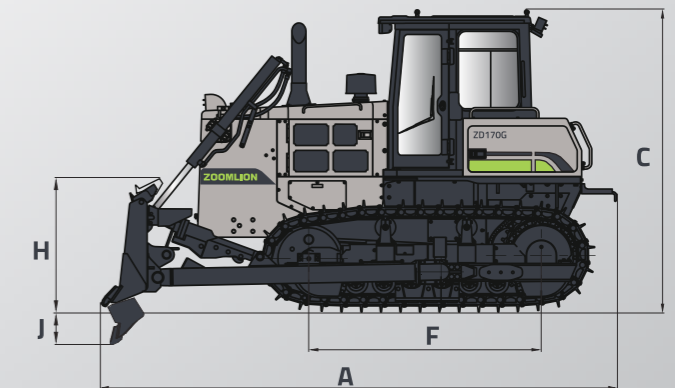
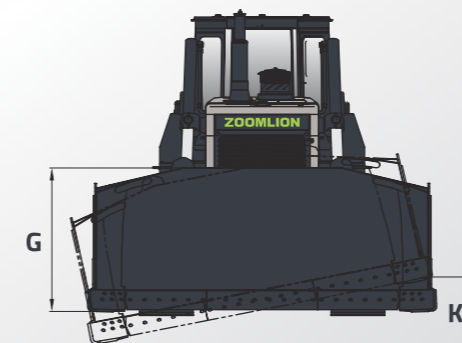
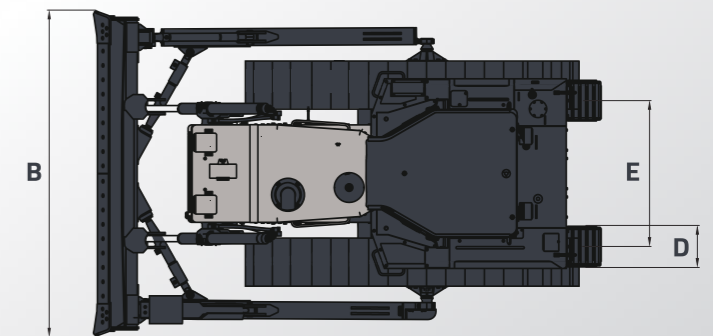
ZD170G	
Operating weight 操作重量 (kg)	
16600 (Straight-tilt Blade 直倾铲)	
16630 (Semi-U Blade 半U型铲)	
17300 (U Blade U型铲)	
17500 (Universal Blade 万向铲)	
Engine 发动机	
Universal Blade 型号	WeiChai WD10G190E214 潍柴 WD10G190E214
Type 型式	Inline, vertical, coolant cooled, 4 stroke, turbocharged, direct-injection 直列、立式、水冷、四冲程、增压、直喷
Displacement 发动机排量	9.726 L
Rated speed 额定转速	1900 rpm
Rated power 额定功率	140 kW
Maximum drawbar pull 最大牵引力	152 KN
Maximum torque 最大扭矩	900 N.m / 1400~1600 rpm
Generator 发电机	28 V, 55 A
Transmission 传动装置	
Torque converter 液力变矩器	Components 1 stage 1 phase 3元件1级1相
Gearbox 变速箱	Power shift planetary transmission 动力换挡行星变速箱
Type 型式	Planetary gear, multi-disc clutch, manual control, power shift 行星齿轮、多片离合、手动操纵、动力换挡
Gear and speed 变速档位、速度	Forward I 前进 I 档: 0-3.8 km/h Forward II 前进 II 档: 0-6.6 km/h Forward III 前进 III 档: 0-10.6 km/h Reverse I 后退 I 档: 0-4.9 km/h Reverse II 后退 II 档: 0-8.5 km/h Reverse III 后退 III 档: 0-13.6 km/h
Cooling method 冷却方式	Water cooled 水冷
Central drive 中央传动	Spiral bevel gear, splash lubricated 螺旋伞齿轮、飞溅润滑
Steering system 转向系统	
Steering clutch 转向离合器	Wet type, multi-disc clutch type, spring pressing, operating oil pressure action 湿式、多片离合器式、弹簧压紧、 操作油压动作
Steering brake 转向制动器	Wet, floating belt, pedal operation (with hydraulic booster) 湿式、浮动带式、脚踏操作(附油助力)
Final drive 终传动	Spur gear two-stage reduction, splash lubrication 直齿轮二级减速、飞溅润滑
Gradeability (爬坡能力)	
30°	

ZD170G	
Undercarriage 底盘	
Suspension type 悬挂方式	Semi-rigid, balanced beam floating type 半刚性、平衡梁浮动式
Number of carrier rollers (each side) 托链轮数(每侧)	2
Number of track rollers (each side) 支重轮数(每侧)	6
Number of idler (each side) 引导轮数(每侧)	1
Track type 履带型式	Assembled, single grouser 装配式、单履齿
Track pitch 履带节距	203.2 mm
Number of track pad (each side) 履带板数(每侧)	37
Ground pressure 接地比压	65.6 kPa (Straight Tilt Blade 直倾铲) 65.6 kPa (Semi-U Blade 半U型铲) 68.4 kPa (U Blade U型铲) 63.8 kPa (Universal Blade 万向铲)
Ground clearance 离地间隙	400 mm
Minimum turning radius 最小转弯半径	2775 (to outside of track 履带板外侧) 4015 (to outside of the bulldozer 整机外廓)
Hydraulic control mechanism (液压控制机构)	
Type 型式	Gear pump 齿轮泵
Working pressure 工作压力	21 MPa
Maximum flow 最大流量	158 L/min
Control method 控制型式	Pilot 先导
Working equipment (工作装置)	
Blade material 刀片材料	27 MnTiB
Blade cylinder diameter 铲刀缸缸径	95 mm
Service refill capacities (服务保养加注容量)	
Cooling system 冷却系统	45 L
Fuel tank 燃油箱	295 L
Engine oil 发动机油底壳	24 L
Torque converter, gearbox 液力变矩器、变速箱	52 L
Rear axle box 后桥箱	70 L
Final drive (each side) 终传动(每侧)	31 L
Working equipment oil tank 工作装置油箱	75 L
Lubrication system (润滑系统)	
Gearbox 变速箱	forced lubrication 强制润滑
Central drive shaft 中央传动轴	splash lubrication 飞溅式润滑
Steering brake 转向制动器	splash lubrication 飞溅式润滑
Final drive 终传动	splash lubrication 飞溅式润滑

DIMENSION

整机尺寸

	Model 机型	
	ZD170G	ZD170G MGP
A Overall length (without ripper) A 总长度(无松土器)	5292 mm	5415 mm
B Overall width (Blade width) B 总宽度(铲刀宽度)	3454 mm	4177 mm
C Overall height (to cab top) C 总高度(至驾驶室顶端)	3157 mm	3201 mm
D Track pad width D 履带板宽度	510 mm	950 mm
E Track gauge E 履带轨距	1880 mm	2300 mm
F Length of track on ground F 履带轴距	2430 mm	2935 mm
G Blade height G 铲刀高度	1136 mm	988 mm
H Maximum lift of blade above ground H 铲刀最大提升高度	982 mm	1060 mm
J Maximum drop of blade below ground J 铲刀最大下降量	511 mm	506 mm
K Maximum tilt of blade K 铲刀最大倾斜量	864 mm	730 mm
Blade capacity 铲刀容量	4.5 m ³	4.0 m ³



STANDARD & OPTIONAL LIST

标选配清单

Classification (分类)	Configuration items (配置项)	ZD170G
Engine 动力系统	Engine brand 发动机品牌	● Weichai 潍柴
	Engine power 发动机功率	140 kw/1900 rpm
	Number of diesel filter stages 柴油滤清器级数	3 Stage 3级
	Air filter 空滤	●
Radiator 水箱	Air intake prefilter 进气预滤	●
	Common water tank 普通水箱	●
Hydraulic system 液压系统	Rainforest-type water tank 雨林型水箱	○
	Working pump 工作泵	●
Transmission 传动系统	Multiple unit valve 多路阀	●
	Torque converter 变矩器	●
Electrical system 电气系统	Transmission 变速箱	●
	Back-up alarm 倒车报警	●
	Warning light 警示灯	●
Front working equipment 前工作装置	Fuel sensor 燃油传感器	●
	GPS	●
	Straight-tilt blade 直倾铲	●
	Angle blade 角铲	○
	Semi-U blade 半U铲	○
	U blade (Coal-pushing blade) U型铲 (推煤铲)	○
Rear working equipment 后工作装置	Universal blade (25°) (bogie with 7 track rollers must be selected simultaneously) 万向铲 (25°) (必须同时选择7支重轮台车架)	○
	Triple-shank ripper 三齿松土器	○
Travel system 行走系统	Bogie (6 track rollers) 台车架 (6支重轮)	●
	Bogie (7 track rollers) 台车架 (7支重轮)	○
	510mm track 510mm履带	●
	560mm track 560mm履带	○
	610mm track 610mm履带	○
	Long mudguard assy 长挡泥板总成	○
Cab 驾驶室	Short mudguard assy 短挡泥板总成	○
	Seat 座椅	●
	Radio 收音机	●
FOPS&ROPS	Fire extinguisher 灭火器	●
	Four-column ROPS 四柱防翻架	○
Air conditioner 空调系统	Six-column ROPS 六柱防翻架	○
	Air conditioner (cool & warm) 冷暖空调	○
	Air conditioner (cool) 单冷空调	○

STANDARD 标配 ●
OPTIONAL 选配 ○

STANDARD & OPTIONAL LIST

标选配清单

Classification (分类)	Configuration items (配置项)	ZD170G MGP
Engine 动力系统	Engine brand 发动机品牌	● Weichai 潍柴
	Engine power 发动机功率	140 kw/1900 rpm
	Number of diesel filter stages 柴油滤清器级数	3 Stage 3级
	Air filter 空滤	●
Radiator 水箱	Air intake prefilter 进气预滤	●
	Common water tank 普通水箱	●
Hydraulic system 液压系统	Rainforest-type water tank 雨林型水箱	○
	Working pump 工作泵	●
Transmission 传动系统	Multiple unit valve 多路阀	●
	Torque converter 变矩器	●
Electrical system 电气系统	Transmission 变速箱	●
	Back-up alarm 倒车报警	●
	Warning light 警示灯	●
Front working equipment 前工作装置	Fuel sensor 燃油传感器	●
	GPS	●
	Straight-tilt blade 直倾铲	●
	Sanitation blade 环卫铲	○
	Higher sanitation blade 环卫加高铲	○
	Rear working equipment 后工作装置	Triple-shank ripper 三齿松土器
Travel system 行走系统	Bogie (7 track rollers) 台车架 (7支重轮)	●
	950mm track 950mm履带	●
	1100mm track 1100mm履带	○
	Long mudguard assy 长挡泥板总成	○
Cab 驾驶室	Short mudguard assy 短挡泥板总成	○
	Seat 座椅	●
	Radio 收音机	●
FOPS&ROPS	Fire extinguisher 灭火器	●
	Four-column ROPS 四柱防翻架	○
Air conditioner 空调系统	Six-column ROPS 六柱防翻架	○
	Air conditioner (cool & warm) 冷暖空调	○
	Air conditioner (cool) 单冷空调	○

STANDARD 标配 ●
OPTIONAL 选配 ○