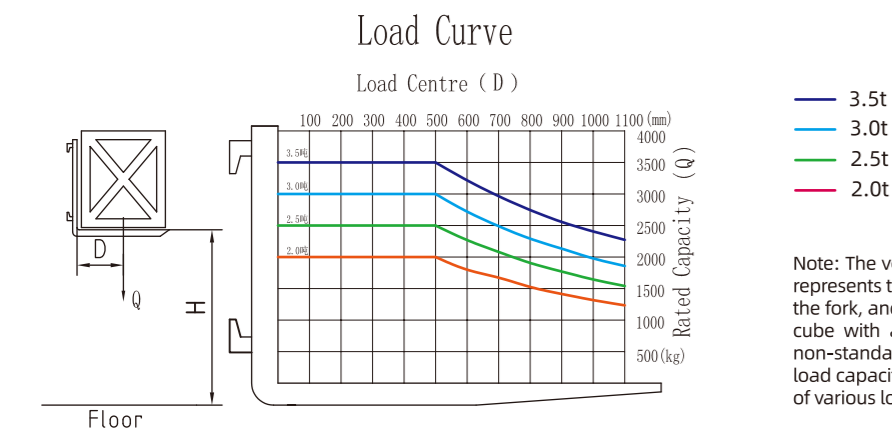


Configuration Option Sheet

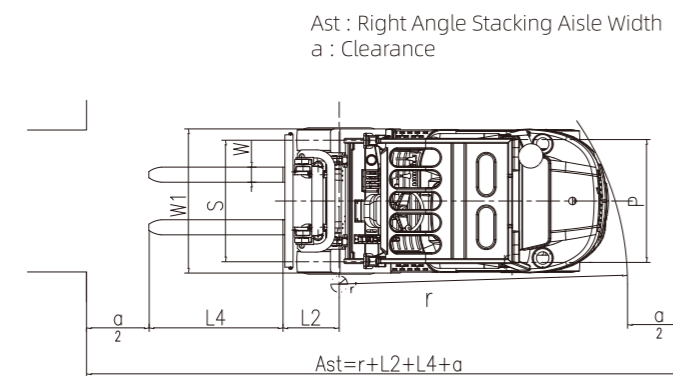
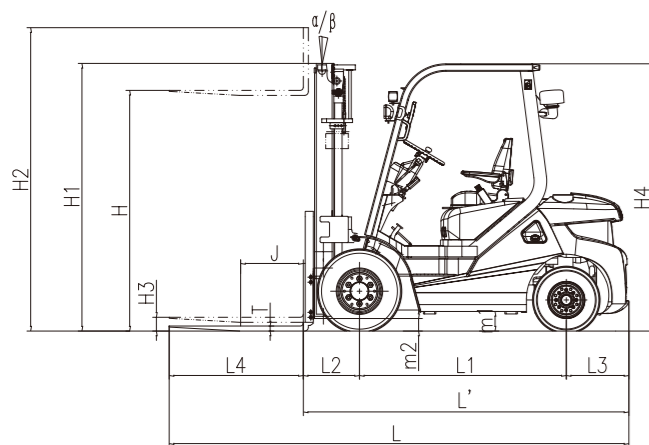
LG Series 2-3.5t

Configuration	Hydraulic Gearbox	Electric Reversing	Overhead Guard	Roof Weather Canopy	Pedal Rubber
	Safety seat	Tool Box	Fork Carriage	Backrest	Standard Forks
	Two-piece Multiplex Valve	Fully-hydraulic Power Steering	Tilting Cylinder Latching Valve	Multi Function Display	Working Hour Meter
	Adjustable Steering	Warning Light	Oil Content Meter	Water-thermometer	Charging Indicator
	Lift, Tilt, Levers	Neutral Position Switch	Oil Pressure Warning	Electric Horn	Full Set of LED Lights
	Reversing Buzzer	Backup Mirror	Traction Pin		
Optional	Mechanical Gearbox	Mechanical Reversing	Solid Tyres	Cabin	Suspension Seat
	Cold A/C	Heater	Front Windscreen	High Level Exhaust	Double Air Filter (S45 NA)
	Oil Bath Air Filter	Widen Fork Carriage	Multiple Hydraulic Attachments	Fire Extinguishing Muffler	Driving OPS
	Full Set OPS (Including drive and lift)	Reversing Voice Horn	Overspeed Alarm, 10km/h	Electric Fan	Sound-light Alarm
	Rear Working Light	Fork Extensions	Tilt cylinder protection	Steering cylinder protection	Custom Colours
	Double Row of Wheels				

Load Curve



Structure Diagram



LONKING

LONKING



2-3.5t

LG series Internal Combustion Counterbalance Forklift Truck



LONKING HOLDINGS LIMITED
LONKING (SHANGHAI) FORKLIFT SALES CO.,LTD.

Add:196.Xinrun Road.Xinqiao,Songjiang Industrial,Zone Shanghai
 Sales Hot-line:+86-21-37602160 sales hotline:+86-400-021-6969
 Fax:+86-21-61303339-8195 E-mail:scctw@lonking.cn
 http://www.lonking.cc P.C:201612



Attractive Appearance

Smooth and novel styling, balance weight with car design elements, strong personality, dynamic.

Lowering Energy Consumption

Optimized design of load sensing hydraulic system reduces vehicle fuel consumption Effectively.

Operating Comfort

Adopted interactive ergonomic design to improve operating comfort. Equipped with wide field of view mast to improve driver's field of view.

Sensitive and Stable

Integral steering device, more sensitive directivity, smooth operation, more stable quality.

Convenient Maintenance

Interior space of car body is more spacious Parts Positions are more reasonable. Maintainability of machine is better.

Safety and Reliable

High-strength integral hood and one-body impact molding overhead guard.



Product details and advantages



The appearance of the entire vehicle is designed by a professional company in the automotive industry, with a novel appearance, smooth lines and full of dynamics.



Using high-pressure multiple injection technology, it has strong power output, low smoke emission, better cold start performance, and saves 10% energy consumption.



New spacious anti-slip steps and low pedal entry, simple and safe.



Double suspension structure reduces excessive vibration of the engine, which causes radiation to the human body, and reduces 30% of vibrations during driving, making operation easier comfortable.



The digital instrument is intelligent and comes with voice prompts, making driving easier.



The design of the steering control is more in line with ergonomic principles, which can reduce the driver's operating fatigue.

Overall Specifications

LG Series 2-3.5t

Character		LONKING					
1.01	Manufacturer		LONKING				
1.02	Model		LG20DTIII	LG25DTIII	LG30DTIII	LG35DTIII	
1.03	Power type		Diesel				
1.04	Rated capacity	Q	kg	2000	2500	3000	3500
1.05	Load center	J	mm	500	500	500	500
Dimensions							
2.01	Max. height (with backrest)		mm	4040	4040	4110	4110
2.02	STD Max lifting height	H1	mm	3000	3000	3000	3000
2.03	Overhead guard height	H4	mm	2130	2130	2150	2150
2.04	Overall length (with fork)	L	mm	3690	3690	3855	3890
2.05	Wheelbase	L1	mm	1650	1650	1750	1750
2.06	Front overhang	L2	mm	470	470	485	490
2.07	Rear overhang	L3	mm	500	500	550	580
2.08	Min ground clearance (Chassis/Mast)	m1/m2	mm	160/110	160/110	165/140	165/140
2.09	Overall width (outside)	W1	mm	1165	1165	1250	1250
2.10	Fork adjustment range		mm	243-1037	243-1037	252-1092	252-1092
2.11	Fork size(STD)		mm	1070×120×40		1070×122×45	1070×122×50
2.12	Front wheel tread	S	mm	970	970	1030	1030
2.13	Rear wheel tread	P	mm	980	980	980	980
2.14	Min turning radius(outside)	R1	mm	2300	2300	2520	2530
2.15	Min aisle width for pallet 1000x1200,crossways		mm	4040	4040	4275	4290
2.16	Min aisle width for pallet 800x1200.lengthways		mm	4170	4170	4405	4420
Tyres							
3.01	Capital W (F/R, X=Driven wheels)			X=2/2			
3.02	Tyres type (F/R)			Pneumatic			
3.03	Tyres size,front			7.00-12-12PR		28x9-15-14PR	
3.04	Tyres size,rear			6.00-9-10PR		6.50-10-10PR	
Performance and other details							
4.01	Max. travelling speed,loaded/unloaded		km/h	18.5/20	18.5/20	18.5/20	18.5/20
4.02	Lifting speed, loaded/unloaded		mm/s	480/510	480/510	450/485	400/420
4.03	Lowering speed,loaded/unloaded		mm/s	loaded≤600/unloaded≥300			
4.04	MAX. gradeability,loaded/unloaded		%	20	20	20	20
4.05	Service weight(with oil & water)		kg	3260	3600	4160	4630
4.06	Axle load, F/R(loaded)		kg	4735/525	5490/610	6520/640	7265/865
4.07	Axle load, F/R(unloaded)		kg	1300/1960	1440/2160	1680/2480	1760/2870
4.08	Service brake			Power brake -pedal			
4.09	Parking brake			Mechanical-hand brake lever			
4.10	Transmission type			Mechanical/electrical reversing hrdraulic transmission			
4.11	Fuel tanke capacity		L	50	50	60	60
4.12	Battery (voltage/capacity)		V/Ah	12/ 80			

Engine Optional

LG Series 2-3.5t

Optional Engines							
Engine model	Displacement	Manufacturer	Rated power	Max. torque(Nm/rpm)	Bore/cylinder No./displacement	Fuel concumprion	Applicable model
C490BPG-47	Euro IIIA	XINCHAI	36.8kW/2650rpm	156/1800	90mm/4/2.67L	230g/kW.h	2-3T
C240	CHN III//Euro IIIA	ISUZU	34.3kW/2500rpm	137.7/1800	86mm/4/2.369L	292g/kW.h	2-3T
C490BPG-225	CHN II	XINCHAI	36.8kW/2200rpm	156/1800	90mm/4/2.67L	230g/kW.h	2/2.5T
A498BT1-58	Euro IIIA	XINCHAI	36.8kW/2400rpm	180/1800	98mm/4/3.17L	230g/kW.h	3/3.5T
S4S-474	Euro IIIA	mitsubishi	35.3kW/2250rpm	177/1700	94mm/4/3.331L	225g/kW.h	2-3.5T
4JG2	Euro II	ISUZU	44.8kW/2450rpm	186/1600-1800	95mm/4/3.059L	265g/kW.h	3/3.5T
3E22YG51	Euro V	XINCHAI	44.8kW/2400rpm	210/1600-1800	94mm/3/2.23L	255g/kW.h	2-3.5T

Mast Specifications

Mast Type	Mast Model	H2 Max Lifting Height (mm)	Load Capacity (J=500mm) (kg)				H1 Lowered Mast Height(mm)			H3 Free Lifting Height (mm)			Mast Tilting Angle (°)	
			2T	2.5T	3T	3.5T	2-2.5T	3T	3.5T	2-2.5T	3T	3.5T		
2 Stage Standard Mast	M200	2000	2000	2500	3000	3500	1525	1555	1670	140	145	150	6/12	
	M250	2500	2000	2500	3000	3500	1775	1805	1920	140	145	150	6/12	
	M270	2700	2000	2500	3000	3500	1875	1905	2020	140	145	150	6/12	
	M300	3000	2000	2500	3000	3500	2025	2055	2170	140	145	150	6/12	
	M330	3300	2000	2500	3000	3500	2175	2205	2320	140	145	150	6/12	
	M350	3500	2000	2500	3000	3500	2275	2305	2420	140	145	150	6/12	
	M370	3700	2000	2500	3000	3500	2375	2405	2520	140	145	150	6/12	
	M400	4000	2000	2500	2950	3200*3400	2575	2605	2720	140	145	150	6/6	
	M425	4250	1850*2000	2250*2500	2850*3000	3100*3300	2700	2730	2845	140	145	150	6/6	
	M450	4500	1600*1900	2100*2400	2600*2800	2900*3100	2825	2855	2970	140	145	150	6/6	
	M475	4750	1400*1800	1900*2200	2350*2600	2700*2900	2950	2980	3095	140	145	150	6/6	
	M500	5000	1300*1700	1600*1900	2100*2400	2400*2750	3075	3105	3220	140	145	150	6/6	
M550	5500	1200*1500	1200*1700	2000*2400	2200*2400	3375	3405	3520	140	145	150	3/6		
M600	6000	1000*1300	900*1400	1500*2000	1800*2200	3625	3655	3770	140	145	150	3/6		
Note: * means capacity of double front wheels.														
2 Stage Free Mast	ZM200	2000	2000	2500	3000	3500	1525	1555	1670	910	860	895	6/12	
	ZM250	2500	2000	2500	3000	3500	1775	1805	1920	1160	1110	1145	6/12	
	ZM270	2700	2000	2500	3000	3500	1875	1905	2020	1260	1210	1245	6/12	
	ZM300	3000	2000	2500	3000	3500	2025	2055	2170	1410	1360	1395	6/12	
	ZM330	3300	2000	2500	3000	3500	2175	2205	2320	1560	1510	1545	6/12	
	ZM350	3500	2000	2500	3000	3500	2275	2305	2420	1660	1610	1645	6/12	
	ZM370	3700	2000	2500	3000	3500	2375	2405	2520	1760	1710	1745	6/12	
	ZM400	4000	2000	2500	2850	3250*3500	2575	2605	2720	1960	1910	1945	6/6	
	ZM450	4500	1600*1900	2100*2400	2600*2800	2900*3100	2825	2855	2970	2210	2160	2195	6/6	
	Note: 2-2.5T free lifting height with backrest minus 395mm. 3T free lifting height with backrest minus 380mm. 3.5T free lifting height with backrest minus 295mm.													
	Note: * means capacity of double front wheels.													
	3 Stage Free Mast	ZSM360	3600	1900	2400	2900	3300	1840	1870	1225	1090	1095	6/6	
ZSM400		4000	1800*1900	2300	2800	3300	1975	2005	1360	1225	1230	6/6		
ZSM430		4300	1750*1900	2200*2400	2700*2900	2900*3100	2070	2100	1455	1320	1325	6/6		
ZSM450		4500	1600*1800	2000*2300	2500*2700	2800*3000	2140	2170	1525	1390	1395	6/6		
ZSM470		4700	1300*1700	1800*2100	2350*2550	2600*2800	2210	2240	1595	1460	1465	6/6		
ZSM480		4800	1250*1700	1700*2000	2250*2450	2500*2750	2240	2270	1625	1490	1495	6/6		
ZSM500		5000	1100*1600	1500*1800	2100*2300	2300*2600	2305	2335	1690	1555	1560	6/6		
ZSM550		5500	800*1300	1100*1500	1500*2000	1700*2200	2470	2500	1855	1720	1725	3/6		
ZSM600		6000	600*1100	800*1300	1200*1800	1300*2000	2690	2720	2075	1940	1945	3/6		
ZSM650		6500	400*800	600*1000	900*1500	1000*1600	2880	2910	2265	2130	2135	3/3		
ZSM700		7000	300*500	400*700	700*1200	700*1200	3085	3115	2470	2335	2340	3/3		
Note: 2-2.5T free lifting height with backrest minus 395mm. 3-3.5T free lifting height with backrest minus 295mm.														
Note: * means capacity of double front wheels.														

Note: Load capacity is reduced 150kg with optional side shifter for 2-2.5t forklift, and 200kg for 3-3.5t forklift.